



## AllTrec 8015F



### AllTrec 8015F Tool Carrier

*The solution for emission-free maintenance of green spaces*

Experience the future of green space maintenance with the AllTrec 8015F Tool Carrier. Designed for versatility, this emission-free machine effortlessly handles tasks like grass cutting, weed control, brushing, and cleaning.

With zero CO2 emissions, minimal noise, and low maintenance costs, the AllTrec 8015F is perfect for use in sports complexes, urban areas, schools, businesses, campsites, resorts, and theme parks.

Revolutionize your green space maintenance with AllTrec, where sustainability meets superior performance and efficiency.



Up to 16 hours  
of working time



Innovative  
& comfortable



Quiet &  
emission-free



Robustly built  
for professionals



# Unique features

## Internet of Things (IoT) Connectivity



- More insight into use
- Intelligent monitoring for preventive maintenance
- Ability for GPS tracking
- Immediate improvements and fast decisions with remote diagnosis
- And more!



With IoT, an enormous amount of data and therefore knowledge is within hand reach. This allows for a new level of aftersales service!

## Optional Cabin



### Cabin including:

- Air conditioning & (seat) heating
- Bluetooth radio
- USB power
- Integrated work and alarm lighting
- Windshield wiper with washer
- Rear window can be opened completely
- Unique and fully integrated design

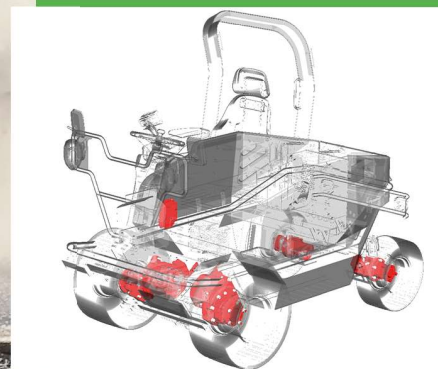


The 8015F can be equipped with **ROPS** or a **cabin**.  
Whichever version you choose, you can be sure of a comfortable and ergonomic workplace. With the freedom to control attachments and your drive direction with Joystick or Fingertips.



# Innovative, high-quality and maintenance-friendly

## All Wheel Drive & ATC system

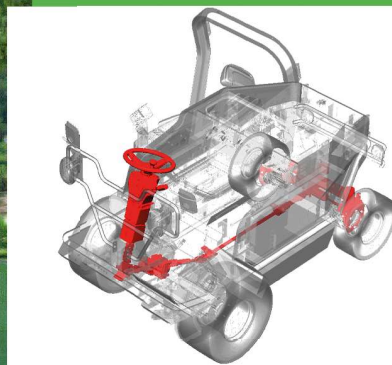


**Advanced Torque Control**, specially developed for the 8015F. This system ensures maximum grip and good maneuverability, but above all great handling and power delivery in the different conditions that users encounter during work.

## Electric Powered Assisted Steering (EPAS)

The modern standard in automotive.  
A first in our industry.

- ☛ Efficient
- ☛ Programmable steering characteristics
- ☛ Maintenance-free
- ☛ Quiet





# AllTrec 8015F

## TECHNICAL SPECIFICATIONS\*

### DRIVE

Type of drive	Electric
Traction system	Individual wheel motors with ATC Standard front wheel drive AWD optional
Speed	25 km/h forwards (20 km/h option) 10 km/h backwards

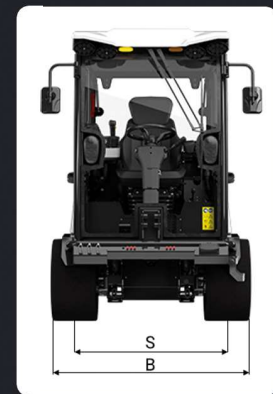
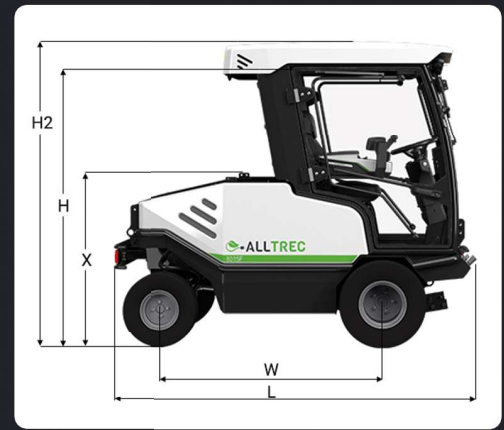
### BATTERY

Machine voltage	80 VDC
Battery technology	LiFePO4
Capacity	50 kWh / 75 kWh
Charging	10 kW Onboard charger (4 – 8 hr)

### DIMENSIONS AND WEIGHT

Length [L]	2500 mm
Wheelbase [W]	1560 mm
Height [H2]	2150 mm with cabin
Width[B]	1420 mm
Track width [S]	1100 mm
Height plateau [X]	1200 mm
Weight ROPS version	1363 kg (50 kWh) 1520 kg (75 kWh)
Weight Cabin version	1643 kg (50 kWh) 1800 kg (75 kWh)

\*See our website for more specifications



## FPS Electric B.V.

Being environmentally responsible is an important cause of many companies and councils. Alltrec tool carriers allow essential maintenance to be completed with zero CO2 emissions, helping to improve the green spaces without damaging the wider environment. FPS Electric is committed to make working without CO2 emissions possible for professionals in green open space maintenance without sacrificing productivity, performance and quality, while increasing user-friendliness.



FPS Electric is the manufacturer of AllTrec. With modern technologies, continuous innovation and the best components, the machines and attachments are produced with great care, high quality and with a lot of dedication.

## Your Dealer:

